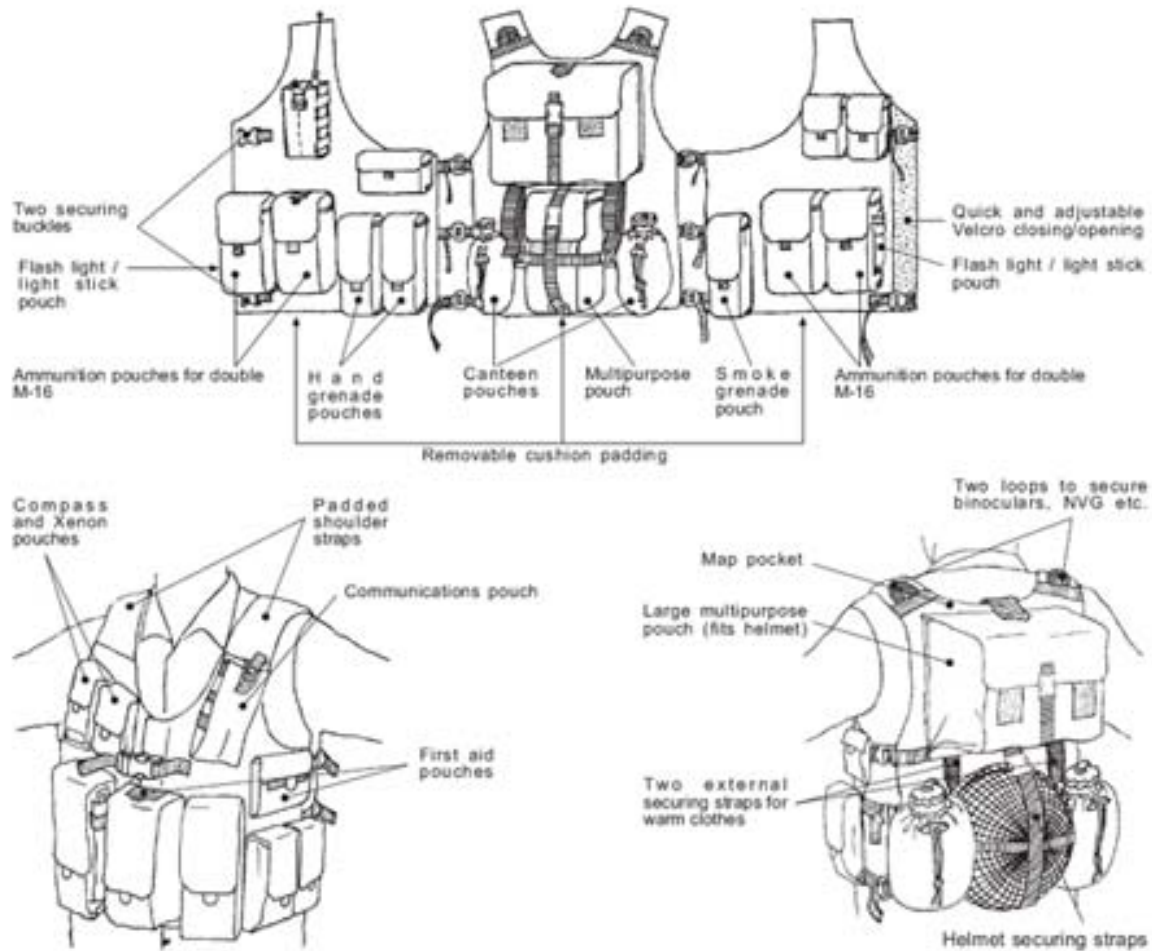


Tactical Multi Purpose Armored Vests



1.1 SPECIFICATION SHEET

TACTICAL VESTS ARE BEST SUITED TO SERVE SOLDIER AT THEATER/S OF WAR, WITH THE ABILITY TO HOLD A LARGE AMOUNT OF EQUIPMENT WHILE PROVIDING HIGH PROTECTION AND FREEDOM OF MOVEMENT, TACTICAL VESTS ARE ALSO USED FOR PARAMEDICS, SEARCH AND RESCUE PERSONNEL AND SPECIAL FORCES.



SAMPLE FEATURES

- INSIDE ZIPPERED MAP POCKETS
- FULLY ADJUSTABLE SHOULDERS AND GIRTH AND EMERGENCY DRAG HANDLE
- BELT LOOPS HOLD A WEB BELT WITH A VARIETY OF GEAR
- HEAVY-DUTY SEPARATING #10 YKK VISLON ZIPPERS
- MADE OF HEAVY-DUTY MESH WITH TWO LARGE INTERIOR POCKETS
- FRONT, SIDE AND BACK PROTECTION
- WEIGHT WITHOUT LEVEL IV PLATE - 9LB (4.1KG)
- WEIGHT WITH LEVEL IV PLATE - 23.3LB (10.6KG)
- PROTECTION COVERAGE - 4.52 SQUARE FEET (0.42 SQUARE METER)
- MULTI-HIT CAPABILITIES
- REMOVABLE AND WASHABLE OUTER COVER
- FULL FREEDOM OF MOVEMENT

PERFORMANCE PROTECTION:

- STANDARD USA NATIONAL INSTITUTION OF JUSTICE (NIJ) 0101.014 LEVEL III
- BALLISTIC PERFORMANCE: TESTED IN COMPLIANCE WITH THE AMERICAN NATIONAL INSTITUTE OF JUSTICE STANDARD NIJ 0101.04
- PROTECTION LEVEL **III** ACCORDING TO NIJ STANDARDS
- THIS VEST PROTECTS AGAINST 7.62 MM FULL METAL JACKETED (FMJ) BULLETS (U.S. MILITARY DESIGNATION M80), WITH NOMINAL MASSES OF 9.6 G (148 GR) IMPACTING AT A MINIMUM VELOCITY OF 838 M/S (2750 FT/S) OR LESS.
- THIS VEST PROTECTS AGAINST 9 MM FULL METAL JACKETED ROUND NOSE (FMJ RN) BULLETS, WITH NOMINAL MASSES OF 8.0 G (124 GR) IMPACTING AT A MINIMUM VELOCITY OF 427 M/S (1400 FT/S) OR LESS, AND 44 MAGNUM SEMI JACKETED HOLLOW POINT (SJHP) BULLETS, WITH NOMINAL MASSES OF 15.6 G (240 GR) IMPACTING AT A MINIMUM VELOCITY OF 427 M/S (1400 FT/S) OR LESS. IT ALSO PROVIDES PROTECTION AGAINST MOST HANDGUN THREATS OR LESS.



Additional Protection

FRONT AND BACK POCKETS CAN HOLD OUR SPECTRA / CERAMIC OR POLYETHYLENE PEA1078 PLATES ALLOWING UPGRADING THE VEST TO LEVEL IV. ALL PLATES ARE MULTI-HIT OR MONOLITH, FLAT, CURVED OR CONTOURED THAT CAN BE SUPPLIED IN A STANDARD SIZE OR ANY OTHER DIMENSION REQUIRED.

- A STANDARD SIZE POLYETHYLENE PEA1078 PLATES WEIGHT 1.76 LBS (800 GRAMS)
- A STANDARD SIZE CERAMIC PLATES WEIGHT 7.16 LBS (3.25 KG)

Armor Protection Against

- .22 CALIBER LONG RIFLE LEAD ROUND NOSE (LR LRN) BULLETS, WITH NOMINAL MASSES OF 2.6 G (40 GR) IMPACTING AT A MINIMUM VELOCITY OF 320 M/S (1050 FT/S) OR LESS, AND 380 ACP FULL METAL JACKETED ROUND NOSE (FMJ RN) BULLETS, WITH NOMINAL MASSES OF 6.2 G (95 GR) IMPACTING AT A MINIMUM VELOCITY OF 312 M/S (1025 FT/S) OR LESS.
- 9 MM FULL METAL JACKETED ROUND NOSE (FMJ RN) BULLETS, WITH NOMINAL MASSES OF 8.0 G (124 GR) IMPACTING AT A MINIMUM VELOCITY OF 332 M/S (1090 FT/S) OR LESS, AND 40 S&W CALIBER FULL METAL JACKETED (FMJ) BULLETS, WITH NOMINAL MASSES OF 11.7 G (180 GR) IMPACTING AT A MINIMUM VELOCITY OF 312 M/S (1025 FT/S) OR LESS.
- 9 MM FULL METAL JACKETED ROUND NOSE (FMJ RN) BULLETS, WITH NOMINAL MASSES OF 8.0 G (124 GR) IMPACTING AT A MINIMUM VELOCITY OF 358 M/S (1175 FT/S) OR LESS, AND 357 MAGNUM JACKETED SOFT POINT (JSP) BULLETS, WITH NOMINAL MASSES OF 10.2 G (158 GR) IMPACTING AT A MINIMUM VELOCITY OF 427 M/S (1400 FT/S) OR LESS.

1.2 CONSTRUCTION & MATERIAL:

- THREE ADJUSTABLE MAG POUCHES (2) MP-5 OR (2) M-16 OR (1) .308 OR (1) 7.62 X 39 MAGAZINES PER POUCH
- EACH MAG POUCH USES ELASTIC TO HOLD MAGS SECURE WHEN FLAP IS OPEN
- BTS WEBBING ON THE BACK FITS ANY POUCH WITH A.L.I.C.E. CLIPS OR DUTY BELT LOOP AROUND SYSTEM
- HOOK & LOOP STRIP FOR ID PATCH
- FULLY ADJUSTABLE SHOULDERS INCLUDE EMERGENCY DRAG HANDLE
- BELT LOOPS HOLD A WEB BELT WITH A VARIETY OF HOLSTERS AND TACTICAL GEAR
- HEAVY-DUTY SEPARATING #10 YKK VISLON ZIPPER
- MADE OF HEAVY-DUTY MESH WITH TWO LARGE INTERIOR POCKETS

1.3 OPTIONAL DESIGN:

- BALLISTIC PANEL: NIJ LEVEL IIIA, ZYLON-FREE
- ADDITIONAL PLATES TO UPGRADE THE LEVEL OF PROTECTION UP TO LEVEL IV
- COLLAR AND GROIN PROTECTOR



Mushriqui Consulting LLC

- AIR CIRCULATION SYSTEM AND ANTI BACTERIAL COVER
- MULTIUSE POUCHES AND POCKETS

1.4 MATERIAL:

- VEST: UP TO 3.3 KG (FOR FULL LEVEL IIIA, MEDIUM SIZE)
- LEVEL III LIGHTWEIGHT PLATES: SET OF 2 LIGHTWEIGHT NIJ LEVEL III STAND ALONE POLYETHYLENE PLATES 1.1 KG EACH (2.2 KG FOR THE COMPLETE SET)

1.5 SIZE:

- ALL SIZES AVAILABLE

1.6 COLOR:

- ALL COLORS ARE AVAILABLE

1.7 CERTIFICATE:

- H. P. WHITE LABORATORIES U.S.A
- UNITED STATES LABORATORY

1.8 WARRANTY:

- 10 YEARS WARRANTY FOR THE BALLISTIC PANNEL
- 2 YEARS WARRANTY FOR DEFECTS IN MATERIALS AND WORKMANSHIP
- Warranty Service Request is Available Online at http://www.mushriquiconsulting.com/warrant_v.asp

Request for Quotation ([click here](#))