

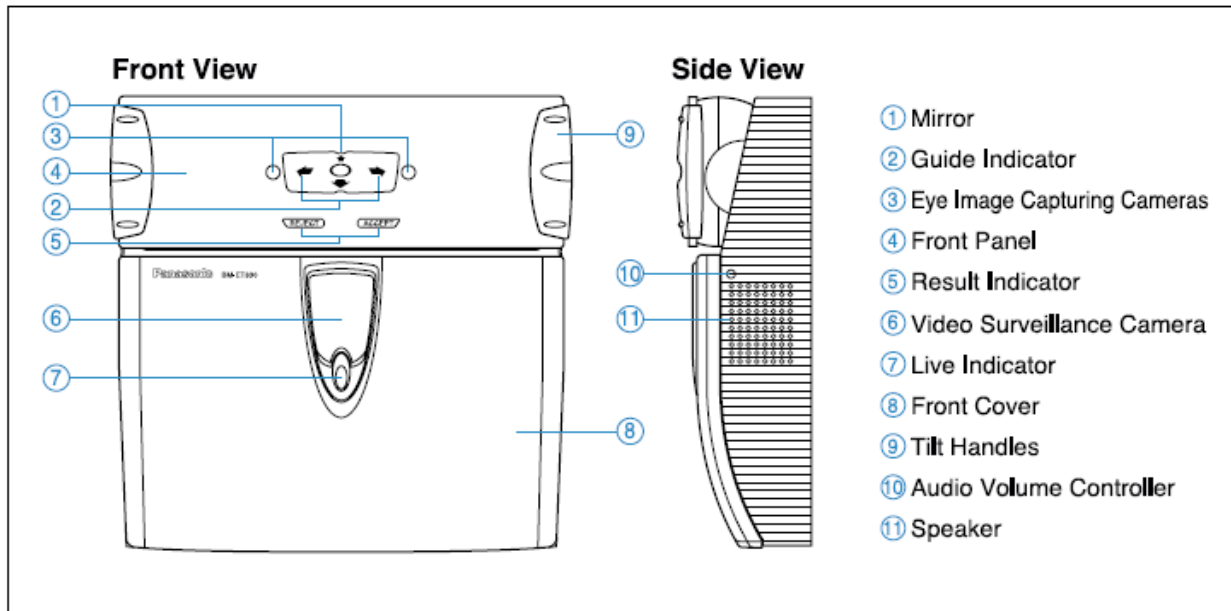


BM-ET330 Iris Recognition Camera System

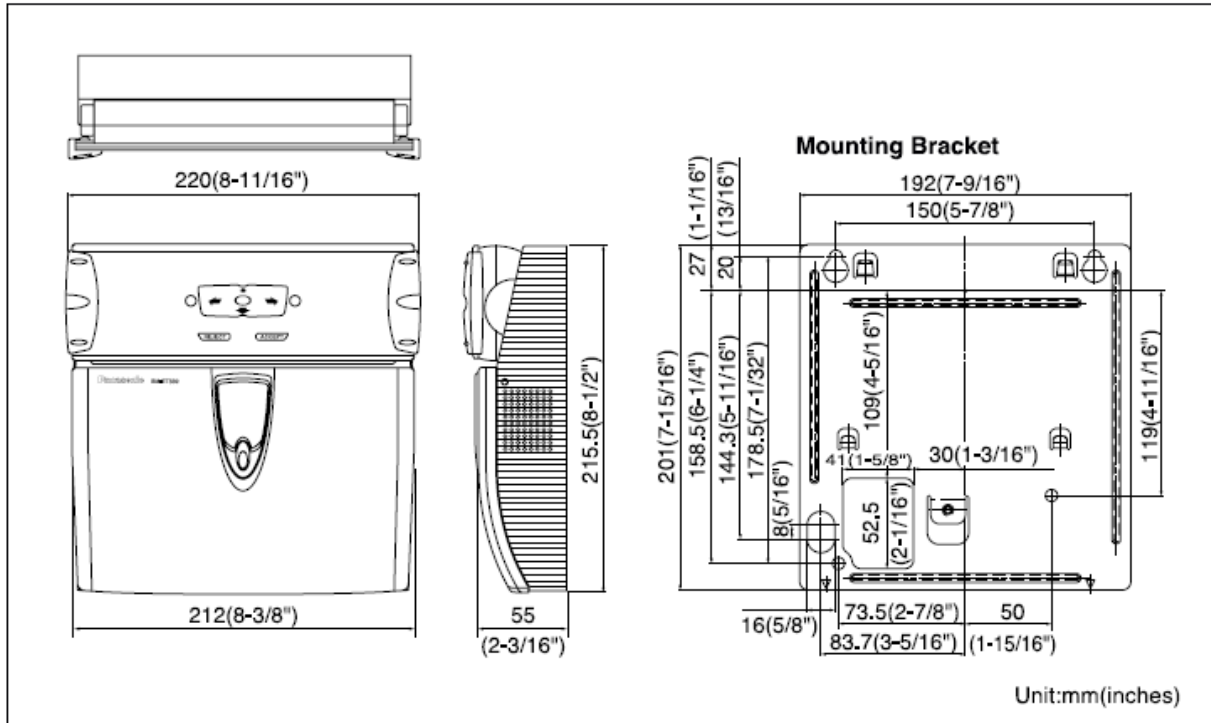
High Precision Quick Recognition up to 5000 User

When both eyes are reflected in the mirror, the system automatically captures the iris images and completes recognition in 1second or less. The quick identification process prevents waiting in line. Iris recognition uses individual differences in the complex patterns found in the iris of the human eye to authenticate individual identities. Iris recognition is the most precise of all biometric identification systems. The false acceptance ratio is so low that the probability of falsely identifying one individual as another is virtually zero.

MAJOR OPERATING CONTROLS



APPEARANCE



Function	
Iris recognition time:	Approx. 1.0 seconds (After iris image capturing until the recognition result is output) *3
Eye image capturing range:	Approx. 30 cm to 40cm (0.98 ft. to 1.32 ft.) between the eyes and the mirror
Total number of users enrolled *3 BM-ET330:	1, 000 users max.
Iris server:	5, 025 users max.
Voice guidance:	14 languages supported (English, German, French, Spanish, Italian, Russian, Chinese, Korean, Portuguese, Turkish, Arabic, Dutch Swedish and Japanese) Mute, Simple (Shutter sound and recognition result), and Full (voice guidance, shutter sound, and recognition result) selectable
Guide indicator:	Front, Back, Left, and Right
Live indicator:	Blinking, On, and Off selectable
Angular field view (video surveillance camera):	Horizontal: 115°, Vertical: 85° (Fixed)
Security function:	Tamper detection switch Iris data encryption

Request for Quotation [\(Click Here\)](#)